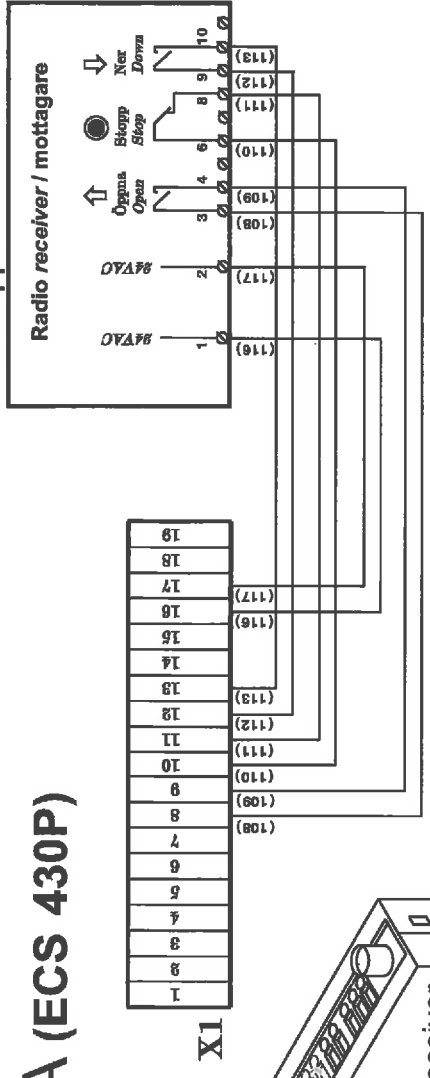


**Three button function
3-knapps funktion**



**One button function
1-knapps funktion**

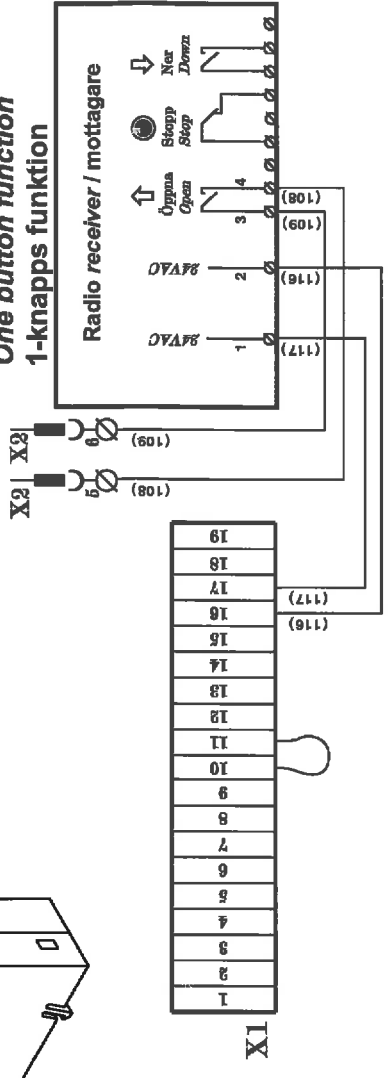
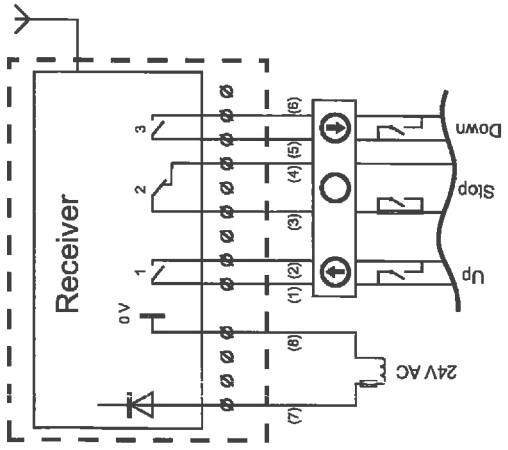
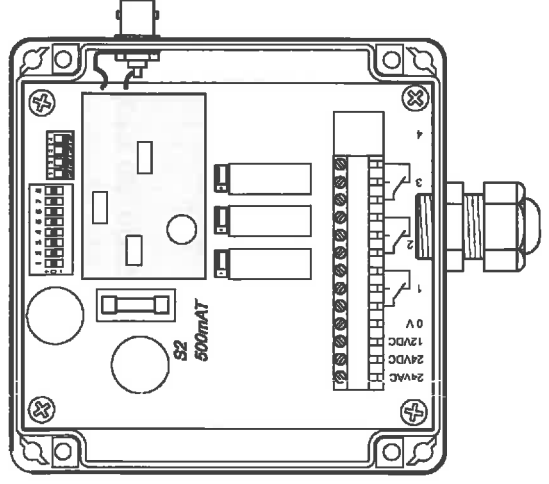


Fig. A (ECS 430P)



**Connection table
on the overleaf page.**

1 (2)



**Receiver kit 1 & 3-button 24V
Mottagsats 1 / 3-knapp**



Doc.no / Dok.nr

Rev. L K042398

Bild A på sidan 1 illustrerar ett "P" system och den medlevererade kabelsatsen är för det. The picture A on page 1 illustrates a "P" system and the delivered cable kit is ment for that.

OBS! "0 V" måste kopplas till nollplinten eftersom den har förbindning med jord på vissa styrsystem. **NOTE!** "0 V" must be connected to the neutral's terminal since it is connected to earth on some control systems.

Detta ger följande tabell:
This gives the following table:

För MR-mottagare / For MR-receivers; 12-24VAC/DC
För WR-mottagare / For WR-receivers; 24VAC/DC

Styrning/control	MR:"12-24 V AC/DC"	MR:"12-24 V AC/DC"	"UP/PU"	"STOP/STOP"	"NER/DOWN"	"ENK./ÖP. ONEB./OP"
	WR:"0V"	WR:"24 V AC/DC"	3 - 4	6 - 8	9 - 10	
CDM 5/6	X2:2	X2:1	X5:1-2	X5:3-4	X5:5-6	X3:3-4/ X3:5-6
ECS 602	X08:8	X08:9	X07:21-21	X07:22-23	X07:24-25	X07:18-19/ X07:28-29
ECS 601	X09:4	X09:2	X08:14-15	X08:16-17	X08:18-19	X08:24-25/ X08:26-27
ECS 601 TH	3	4	X08:14-15	X08:16-17	X08:18-19	X08:24-25/ X08:26-27
ECS 430-430 S	X1:17	X1:16	X1:8-9	X1:10-11	X1:12-13	Enk.module
ECS 430 P	X1:17	X1:16	X1:8-9	X1:10-11	X1:12-13	X2:5-6
Old E600-2000	X1:17	X1:16	X1:8-9	X1:10-11	X1:12-13	Enk.module
Old E3-5000	X4:12	X4:11	-	-	-	Oneb.module
ParRoll 1-5000 OSE	X1:17	X1:16	X1:8-9	X1:10-11	X1:12-13	X2:5-6
Old ParRoll 500	X1:17	X1:16	X1:8-9	22:X1:10	X1:12-13	X2:5-6
ParRoll 500 OSE	X1:17	X1:16	X1:8-9	K5:X1:10	X1:12-13	X2:5-6
ECS 930/930A/940A	X2:8	X2:9	X2:1-2	X2:3-4	X2:5 and 7	X2:1-2 Note! One button only at 930A: X8:3-4
A21	X6:1	X6:2	X6:1-2	X6:4-5	X6:1-3	X6:6-7
820 DCS	25	28	5 - 6	1 - 2	7 - 8	21 - 22

2 (2)

Crawford
Crawford Production AB

Receiver kit 1 & 3-button
Mottagarsats 1 / 3-knapp **24V**

Appn. 
Rev. L Doc.no / Dok.nr
K042398